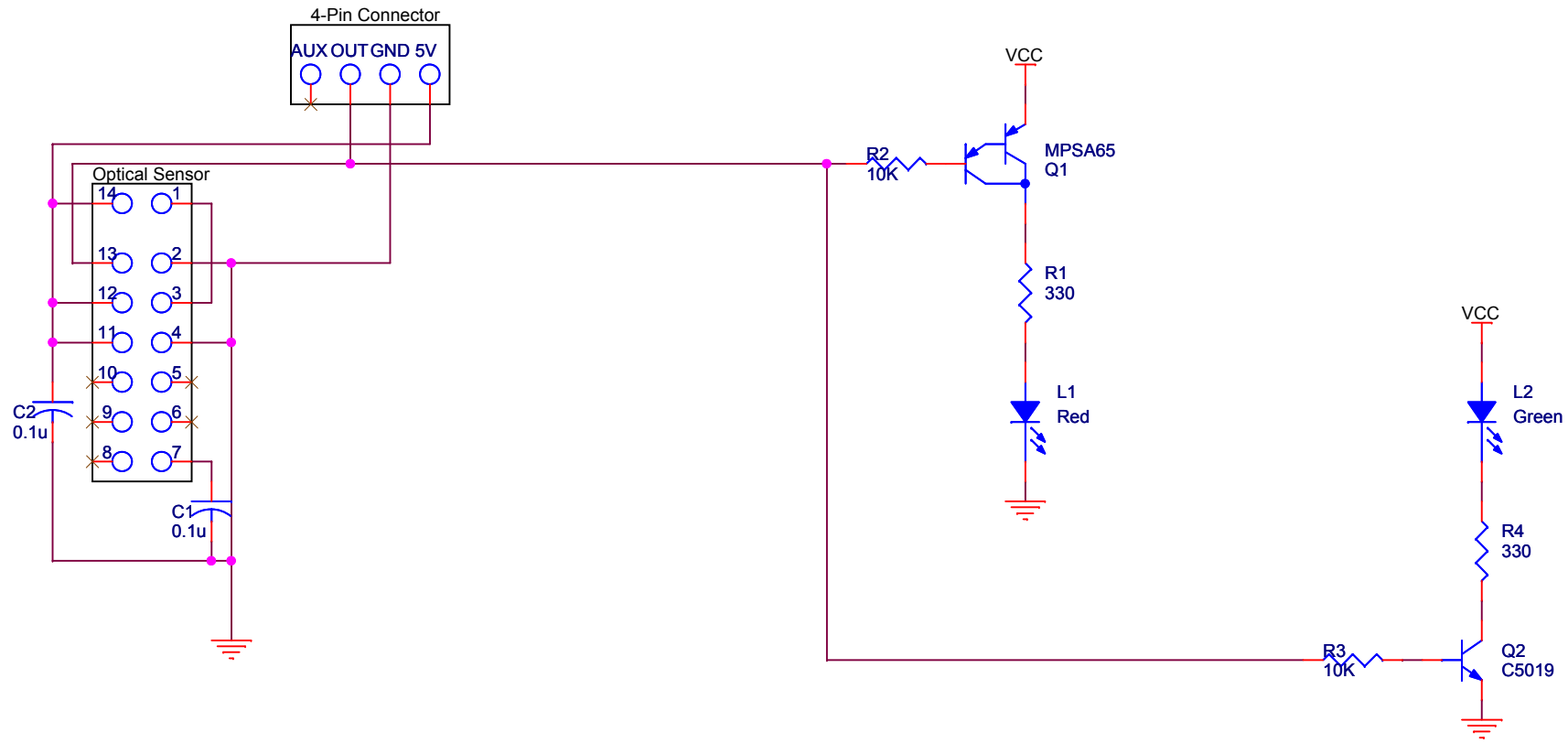


Title		
Optical Sensor Board		
Size	Document Number	Rev
A	1	2.1
Date:		Sheet
Tuesday, August 12, 2008		1 of 1



***NOTE**
 The Optical Sensor Board changes
 the positions of L1 Circuitry and
 L2 Circuitry on the Left and Right boards.